



4

kWh/1000h

71

lumens/watt

LED GU10 - Dimmable

LED3.5D/GU10G/830/220-240V/35/BX
1/8

84612

Product information

This new dimmable range of highly competitive LED GU10 - Dimmable products consume only 5.5W and 3.5W respectively and offer Halogen GU10 lamps with a halogen look-a-like single chip design.

Application areas



Retail



Office



Hospitality



Home

Product data

Product Code	84612
Bulb Shape	PAR
Bulb Finish	Silver
Bulb Diameter [mm]	50
Bulb maximum overall diameter [mm]	50.2
Maximum Overall Length [mm]	53.7
Net weight per piece [g]	30
Gross weight per piece [g]	104
Brand	GE Lighting
Cap/Base	GU10

Performance data

Nominal/ Rated Beam Angle [°]	35
Nominal/ Rated Beam Angle (°)	35
Color consistency (SDCM)	6 steps
Nominal center beam candlepower (CBCP) [cd]	550
Rated peak intensity in [Cd]	550
Rated Lumens [lm]	250
Weighted energy consumption [kWh/1000h]	3.5
Useful lumens (at 90° cone) [lm]	250
Rated efficacy [lm/W]	71.4285714285714
Energy efficiency class (EEC)	A++
Rated life L70/B50 [h]	25000
Nominal correlated colour temperature (CCT) [K]	3000
Nominal lumens [lm]	250
Colour Rendering Index (CRI) [Ra]	80

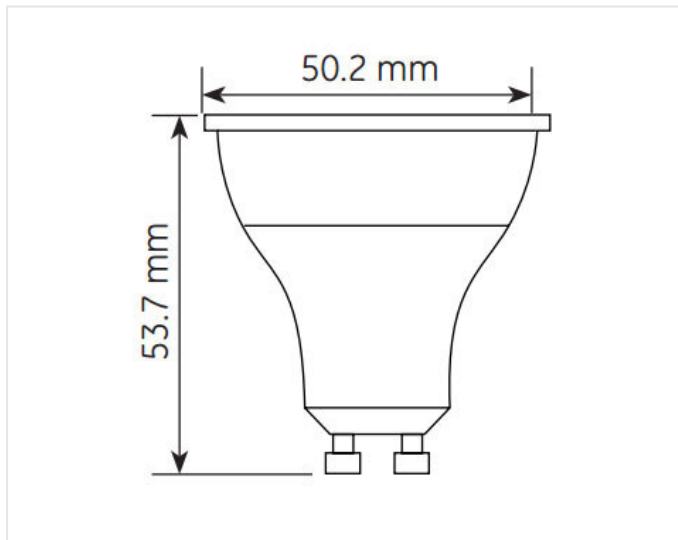
Electrical data

Nominal lamp power factor...	0.5
Rated power [W]	3.5
Lamp Current [A]	30mA
Operating Temperature (MAX) [°C]	40
Run-up time (sec)	<1s
Starting time (sec)	<0.2s
Number of switching cycles	50000
Dimming Capability	Yes
Nominal lamp voltage range [V]	230
Nominal power [W]	3.5
Nominal lamp voltage [V]	230

Logistic data

Shipment	Standard
DUN Code	10043168846124
EAN Code	0043168846127
Pack Quantity	8
Inner pack type	HANGING BOX
Outer pack type	TRAY OUTER
Layer quantity	216 EUR, 312 UK
Layer quantity EUR	216
Layer quantity UK	312
Pallet quantity EUR (PC)	2808
Pallet quantity UK (PC)	4056
Outer case size	230x118x70 mm
Product status	Phased-out

Technical drawing



Downloads & Links

[Go to the catalog site \(HTTP\)](#)

[Product datasheet \(PDF\)](#)

[High-resolution image \(JPG\)](#)

[Lighting design tools & calculators \(HTTP\)](#)

[Datasheet \(PDF\)](#)

[Images \(HTTP\)](#)

[Doc document \(PDF\)](#)

[Dimming compatibility \(PDF\)](#)