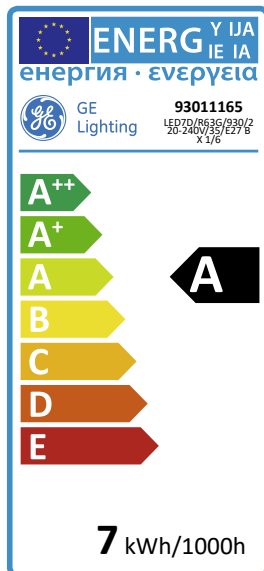




GE
Lighting



7
kWh/1000h

A
energy class

60
lumens/watt

GE Precise™ R63/PAR20 Dimmable

LED7D/R63G/930/220-240V/35/E27 BX
1/6

93011165

Product information

Designed for retrofit replacement of incandescent R63 with maximised energy reduction. Light output and beam spread comparable to commercially available incandescent R63 lamps

Application areas

- Retail
- Office
- Education
- Home

Product data

Product Code	93011165
Bulb Shape	PAR
Bulb Finish	Silver
Bulb Diameter [mm]	63
Bulb maximum overall diameter [mm]	63
Maximum Overall Length [mm]	93
Net weight per piece [g]	110
Gross weight per piece [g]	227
Brand	General Electric (GE)
Cap/Base	E27

Performance data

Colour consistency	6 steps
Nominal beam angle [°]	35
Rated beam angle [°]	35
Nominal center beam candlepower (CBCP) [cd]	1100
Rated peak intensity in [Cd]	1100
Weighted energy consumption [kWh/1000h]	7
Nominal useful lumens [lm]	450
Useful lumens (at 90° cone) [lm]	420
Rated useful lumens [lm]	450
Energy efficiency class (EEC)	A
Rated life L70/B50 [h]	40000
Nominal correlated colour temperature (CCT) [K]	3000
Nominal lumens [lm]	420
Colour Rendering Index (CRI) [Ra]	90

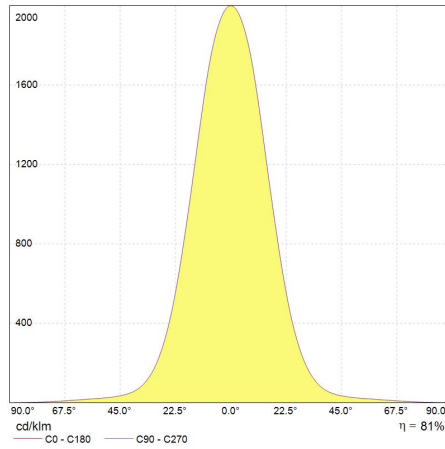
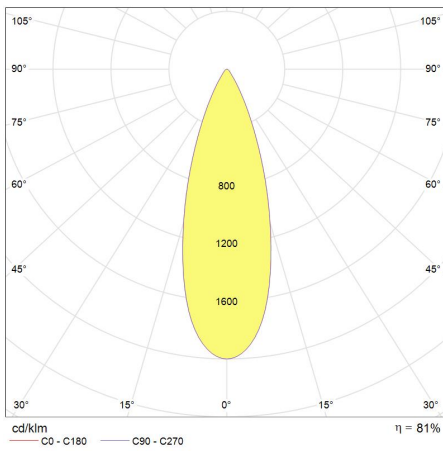
Electrical data

Nominal lamp power factor...	0.8
Rated power [W]	7.0
Lamp Current [A]	0.09
Operating Temperature (MAX) [°C]	40
Run-up time (sec)	<1s
Starting time (sec)	<500ms
Power Factor	0.9
Number of switching cycles	40000
Dimming Capability	Yes
Nominal power [W]	7
Nominal lamp voltage [V]	230

Logistic data

DUN Code	10064894501422
EAN Code	0064894501425
Pack Quantity	6
Inner pack type	Box
Outer pack type	Outer Box
Layer quantity	150 EUR, 180 UK
Layer quantity EUR	150
Layer quantity UK	180
Pallet quantity EUR (PC)	1200
Pallet quantity UK (PC)	1440
Outer case size	238 x 159 x 135 (mm)
Product status	Available

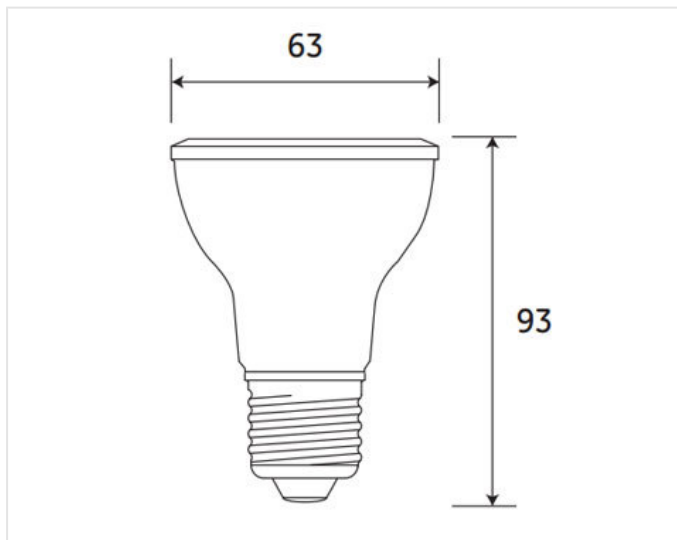
Photometric Data



Distance [m]	Cone diameter [m]	E(0°) E(C0)	16.8° E(C20)	Illuminance [lx]
0.5	0.30	4400	1942	
1.0	0.60	1100	486	
1.5	0.91	489	216	
2.0	1.21	275	121	
2.5	1.51	176	78	
3.0	1.81	122	54	

Distance [m] Cone diameter [m] Illuminance [lx]
 C0 - C180 (Half-value angle: 33.6°)

Technical drawing



Downloads & Links

[Go to the catalog site \(HTTP\)](#)

[Product datasheet \(PDF\)](#)

[Photometry \(IES\)](#)

[High-resolution image \(JPG\)](#)

[Dimming compatibility \(HTTP\)](#)

[LED Lighting Solutions - Catalogue \(EN\) \(PDF\)](#)

[Lighting design tools & calculators \(HTTP\)](#)

[Dimming compatibility \(HTTP\)](#)

[LED Lighting Solutions - Catalogue \(PDF\)](#)

[Lighting design tools & calculators \(HTTP\)](#)

[PAR/Reflector range Datasheets \(HTTP\)](#)

[GE Precise™ R63/PAR20 Dimmable range images \(HTTP\)](#)

[Certificate for the Quality Management System of GE Lighting EMEA \(PDF\)](#)

[Certificate for the Environmental Management System of GE Lighting EMEA \(PDF\)](#)